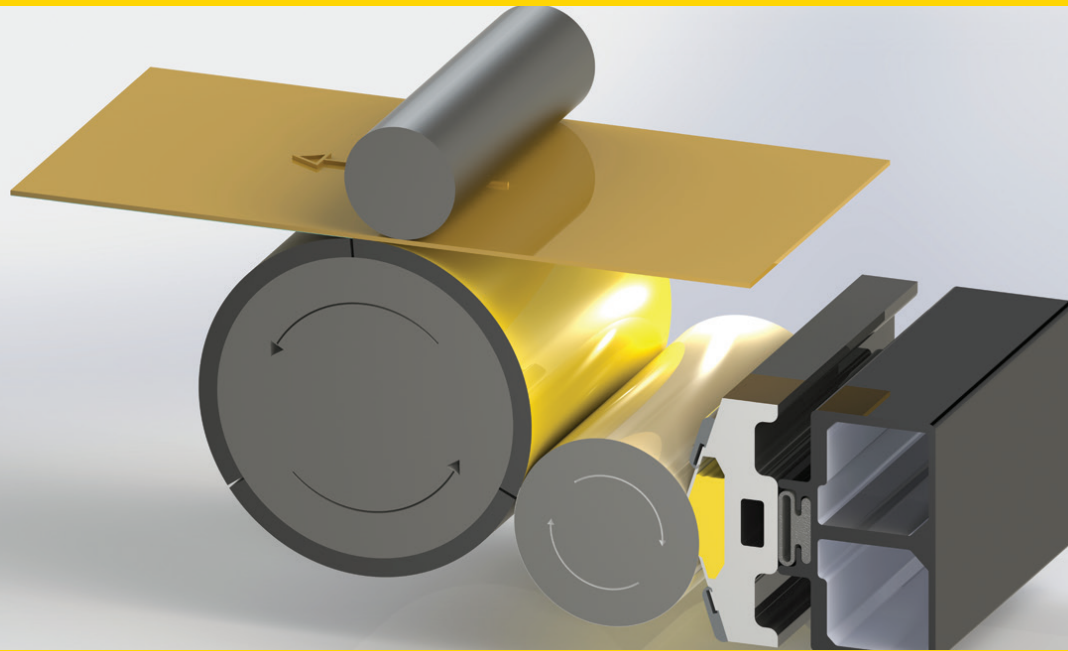




AccuPrint™ from SUN Automation Group®



FEEDING

PRINTING

CONVERTING

SUPPORT

AccuPrint™

The Reinvented Chambered Doctor Blade

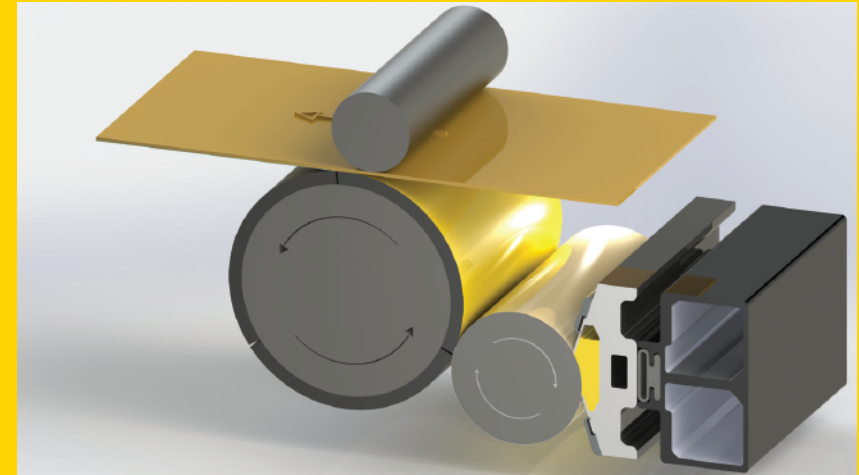
This newly developed flexo ink-metering system protects ink from the harsh factory environment to improve ink quality and performance. For superior graphics using quality inks and substrates, AccuPrint™ is the ink system of choice.

Features and Benefits

- ▶ Tool-less Blade Holder: Replace blades quickly while preventing damage from tools near sensitive equipment
- ▶ Advanced Wash-up: Innovative design prevents clogging and allows for quick ink recovery
- ▶ Cartridge End Seal: Replace end seals easily and quickly
- ▶ Anilox Roll Drive (optional): Precise speed control
- ▶ Totally Enclosed Chamber System: Keeps dust and particles out

Available on your machine

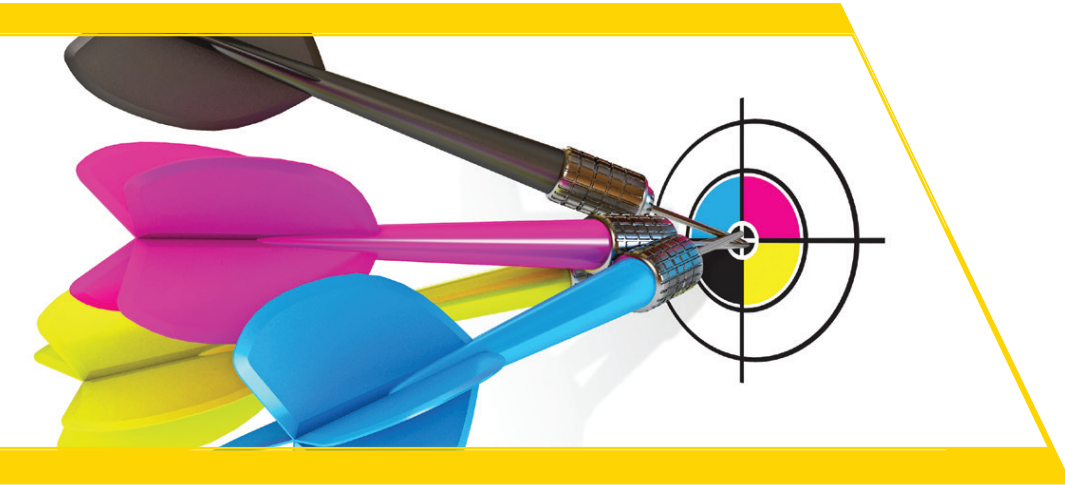
For field upgrades or as an optional upgrade on new machines, AccuPrint is available in widths from 60" (150cm) to 220" (560 cm).



ROI Considerations

ROI	Roll/Roll	AccuPrint (113 inches/2.8 meters)
Set-up time	15-20 min	5-7 min
Ink waste (during wash)	4-77 pounds (1.8-35 Kg)	1 pound (.45 Kg)
Wash water use	Up to 15 gallons (56.7L)	4-8 gallons (15-30 L)
Routine maintenance (recovery cost per year)	\$2,200 (1,676€)	\$1,240 (945€)
Rejections/returns (ink film)	Varies with speed and pressure setting	Maintains the same metering under all conditions
New market penetration (higher graphics)	Limited graphics capability	Better margin work
Anilox roll care (cleaning)	Without automated wash-up vulnerable to dried ink in cells	Helps maintain integrity of intended cell volume





Choose Printing Solutions from SUN Automation

Our printing solutions are available as direct upgrades on existing machines and as OEM products for machine manufacturers. We are always eager to help your operations team with their printing challenges.

Achieving Success

From high-graphics to high-speed, several elements contribute to successful printing on corrugated:

- ▶ Accurate sheet transfer through all print sections of the machine
- ▶ Quality printing plates and the ability to precisely position the plates on the equipment to achieve the desired image
- ▶ Precise ink-metering of the anilox rolls
- ▶ Proper anilox configuration for the specific work group
- ▶ Ink chemistry management
- ▶ Proper substrates for each application
- ▶ Elimination of converting equipment interference during the printing process





About SUN Automation Group®

SUN Automation, headquartered near Baltimore, Maryland, is the world's leading manufacturer of corrugated box equipment. The company's innovative feeding, printing, and converting technologies enable comprehensive solutions for corrugated box plants to increase production, efficiency and profitability. SUN Automation places a strong emphasis on customer support and provides 24-hour on-site technical support globally. Founded in 1985, SUN Automation is 100% employee owned.

Put innovation on your production floor.

Update your converting systems today:

- ▶ US and Canada: +1-410-472-2900
- ▶ Europe, Middle East, Russia: +44-117-9401777
- ▶ China: +86-20-2860-6593
- ▶ Southeast Asia: +65-9186-6408

For more information, replacement parts or to request a quote, visit: SunAutomation.com



FEEDING

PRINTING

CONVERTING

SUPPORT